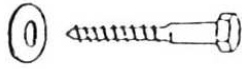


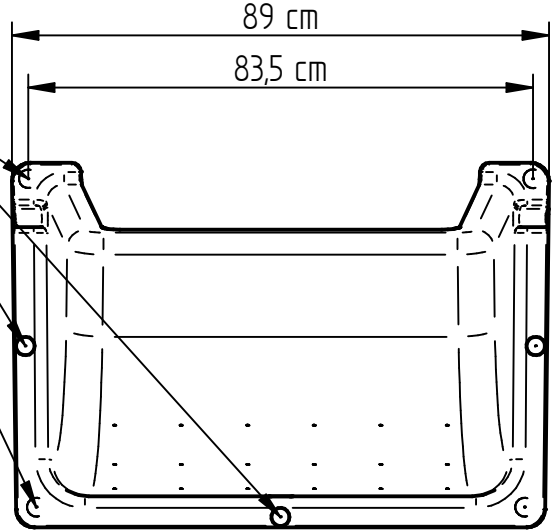
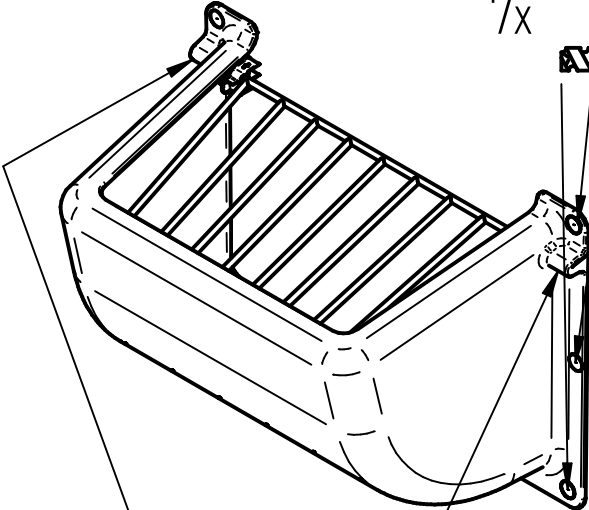
599

1. Drill holes in plastics 2 mm larger than the diameter of the bolts used. Use 7 bolts and washers for mounting.

2. When mounting make sure the distance between the upper left and upper right hole is approx. 83,5 cm. This ensures a well-placed grill.

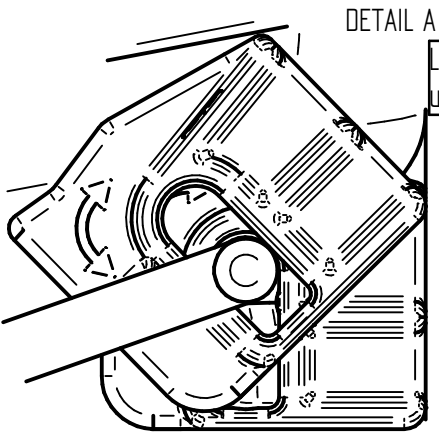


7x



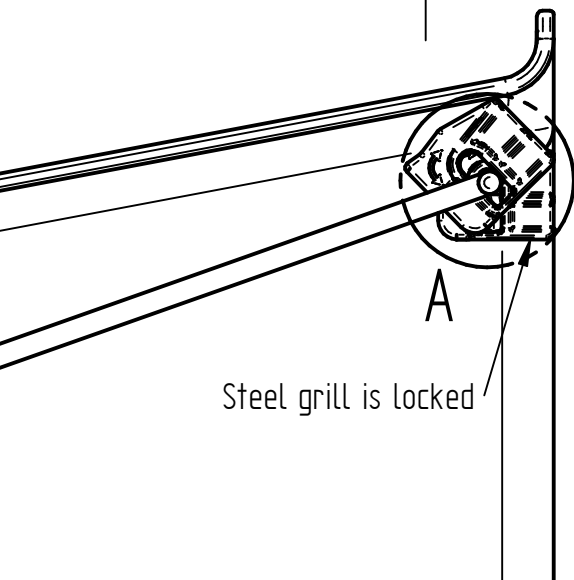
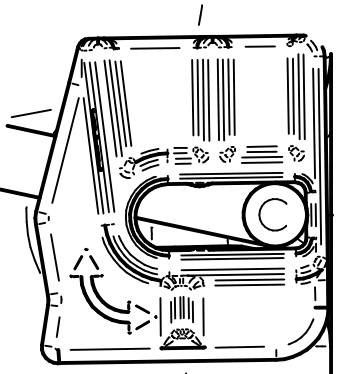
3. Place steel grill and locks in plastic sliding track of the feeder before mounting the feeder onto wall.

See also:
okplast.dk/produkt/slow-feeder-599/

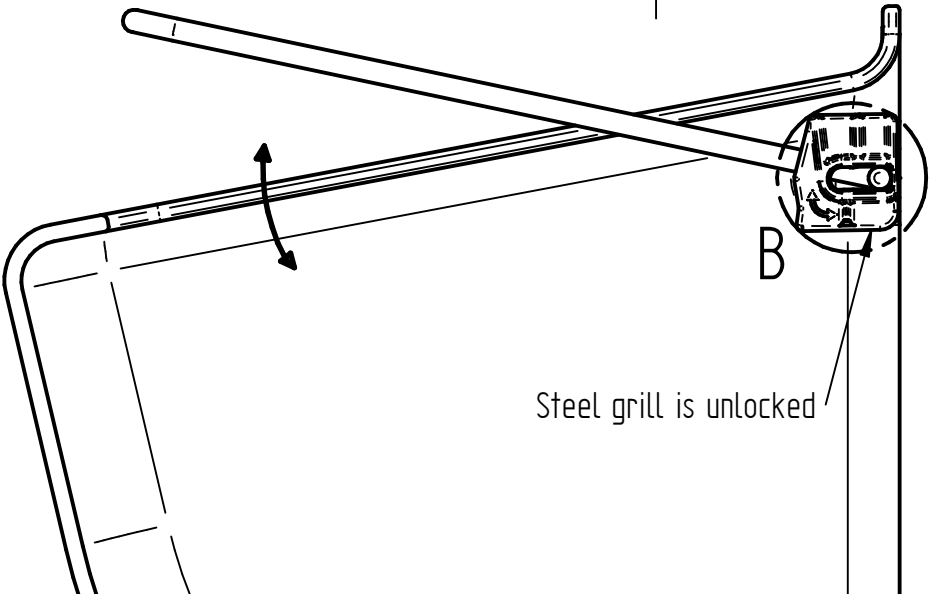


Lift up and turn locks to unlock.

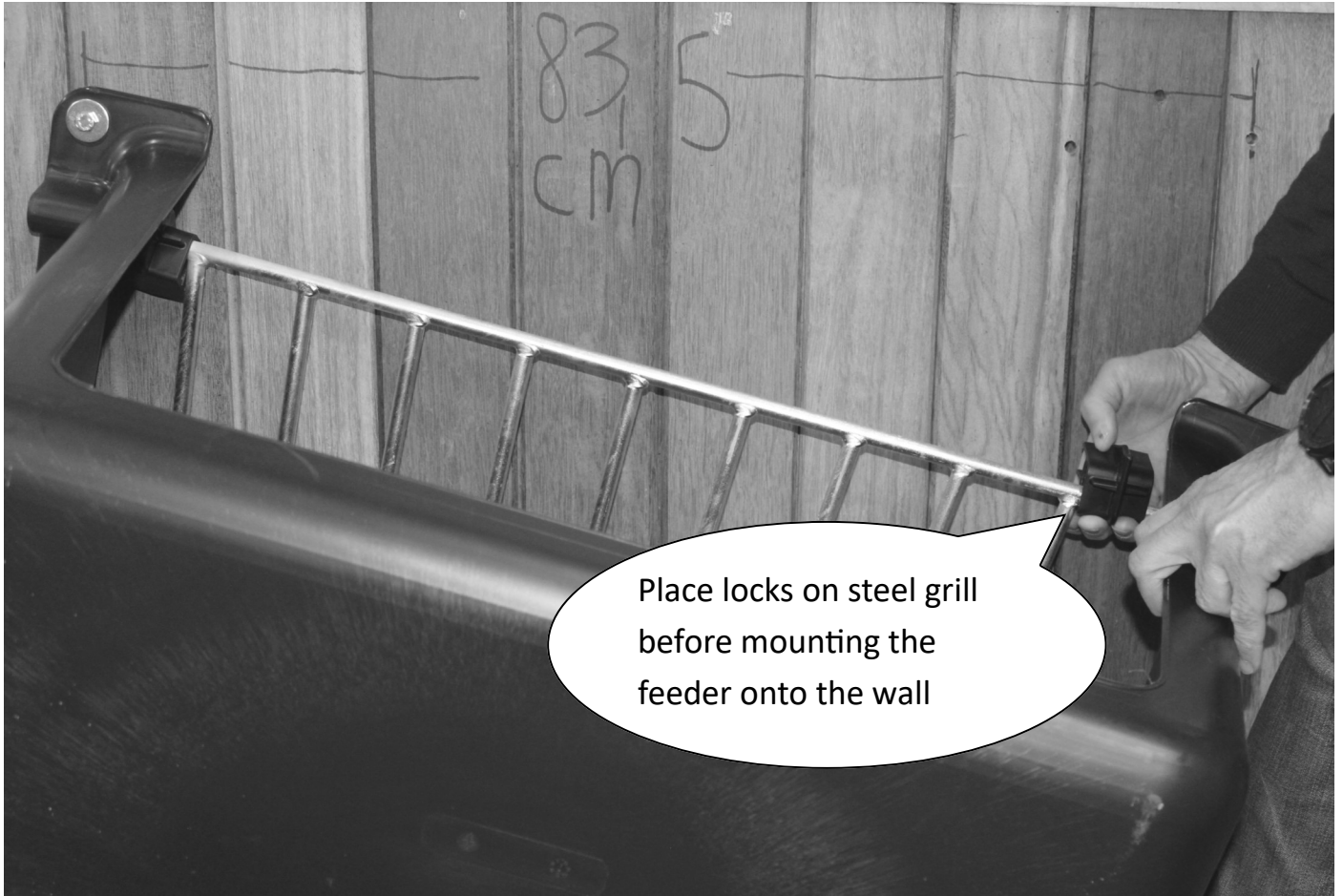
Now push grill backwards to open grill and fill slow feeder.



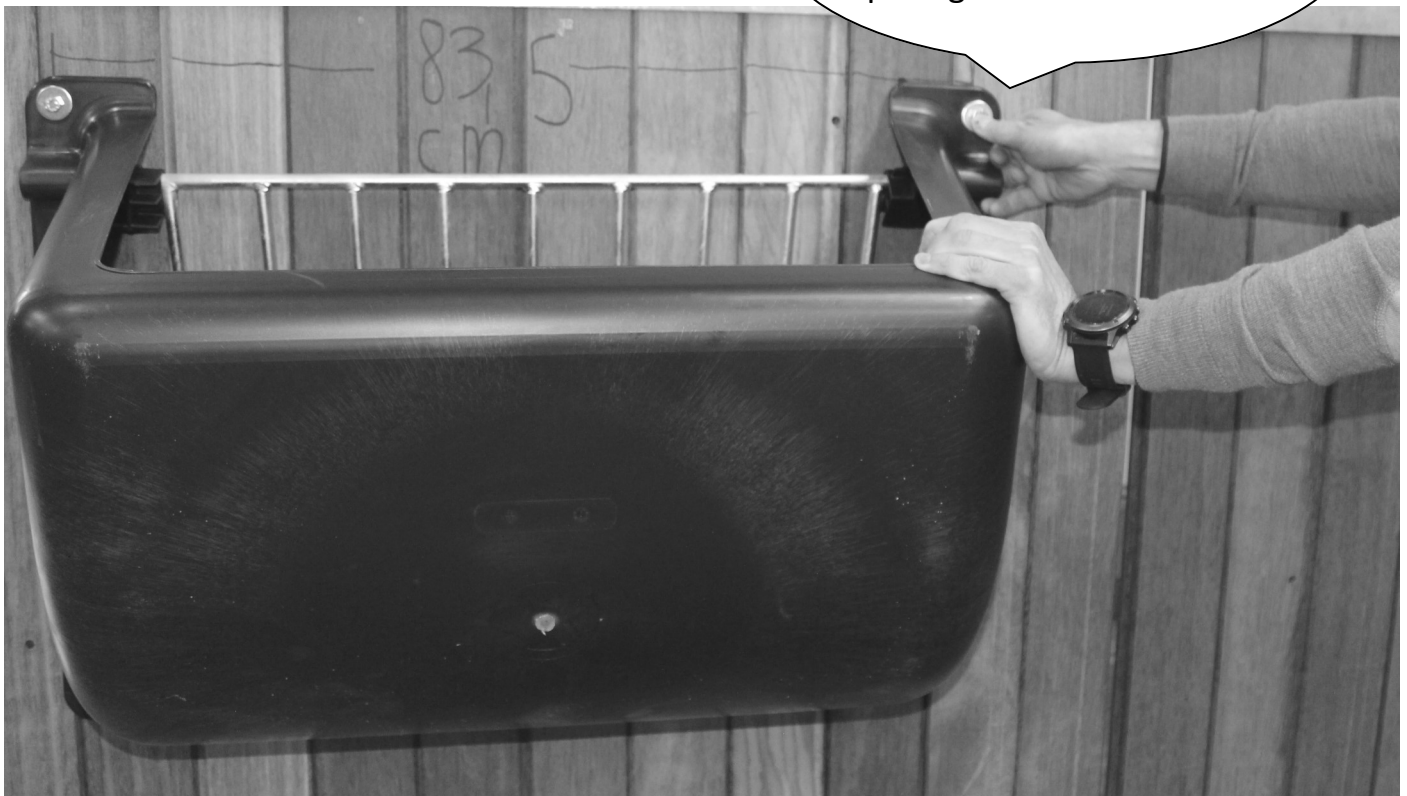
Steel grill is locked



Steel grill is unlocked



Push to reach a distance of 83,5 cm between upper right and left bolts



See also: <https://youtu.be/WvbQzCP4rKs>